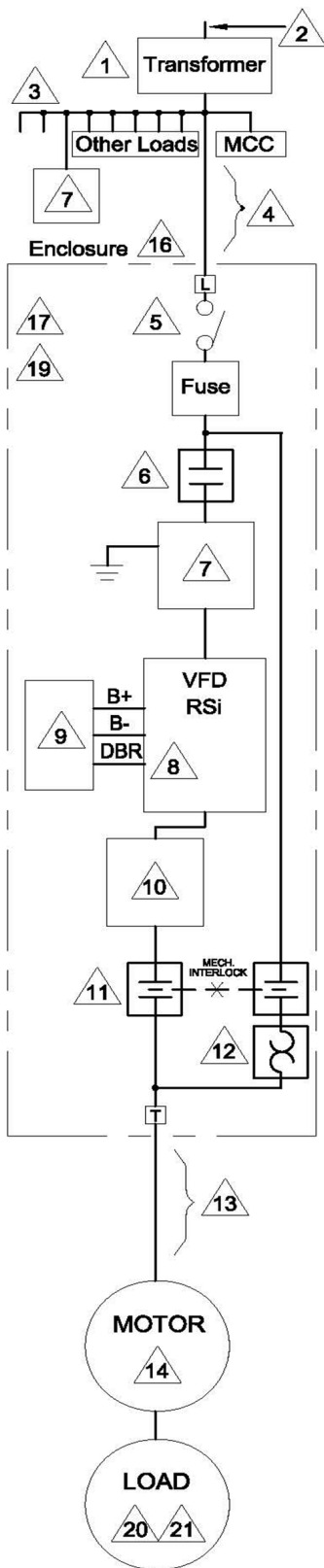


VFD Pre-Sale Check Sheet



Purchaser Information	Company Name _____	Address _____
	Contact Person _____	_____
	Email _____	Phone Number _____



Supply - Incoming 1

Primary (Input) Volts _____ VAC
 _____ KVA _____ % Imp
 Short Circuit Capability _____ Isc (Amps)
 Secondary (Output) Volts _____
 WYE-Delta Connection: Y N
 Grounded Ungrounded

PCC (Point of Common Coupling) 2

Harmonic Restrictions at PCC: Y N
 IEEE519-1992

Other Connected Loads 3

Other Connected Loads Present?
 Yes No
 Please list in detail in comments. Ex. PFCC, VFD, etc.

Feeder Cable 4

Cable Length _____ Conduit Teck
 Non-Shielded Shielded

Main Disconnect 5

Breaker Fusible Disc Line Fuses
 KAIC Rating _____

Input Isolation Contactor 6

Yes No
 HP Rated NEMA Rated

Harmonic Suppression 7

Input Line Reactor 3 or 5 % Imp.
 Transformer
 Passive Filter
 Active Filter
 18 Pulse
 RFI/EMI Filter

VFD Ratings 8

VFD - HP _____ KVA _____ KW _____ V _____
 CT VT Volts _____ Amps _____
 Model - RSi - _____ HP - _____ V - _____ Encl.

Dynamic Braking 9

Load Type: Decel Only Overhauling
 Duty Cycle 5% 10% 25% 50% 100%

Output Filter 10

Reactor Long Lead Sine Wave
 50 ft. ~ 300ft. 300 ft. ~ 1500 ft. > 1500 ft.

Bypass 11

2 Contactor 3 Contactor RVSS
 Rated HP NEMA

Overload 12

For ATL By-pass only: Class 1-40 _____

Cable Length 13 See 10

Manufacturer _____
 Length _____ Ft _____ M _____
 Cable Specification:
 Non-Shielded
 Shielded
 Conduit

Motor Name Plate Data 14

Manufacturer _____
 HP _____ Volts _____
 RPM _____ FLA _____ S.F. _____
 AMPS _____ KVA/Code _____
 Design _____ Frame _____
 Breakdown torque _____ % _____ lb-ft
 Temperature Rise _____ °C
 Critical speed _____ RPM
 Insulation VFD Grade NEMA MG 1 -1998,
 Part 3 1.4.4.2
 Yes No See 10
 Over temperature protection:
 Thermostat Thermistor
 RTD and type
 100 Pt 10 Cu 100 Ni 120 Ni
 Does the motor require a blower for low
 speed operation?
 Yes No
 Insulated Bearing (s)
 Yes No

Options 15

Start P/B Local/Remote Sw.
 Stop P/B Pilot Lights
 Emergency Stop P/B - Run/Stop
 HOA Switch - Forward/Reverse
 Forward P/B - Jog
 Reverse P/B - Power
 Jog Forward P/B - Fault
 Jog Reverse P/B
 Potentiometer
 Fault Reset P/B
 Other _____

Enclosure 16

UL Type _____ (1, 3R, 4, 4X, 12)
 Ambient temperature range _____ °C to _____ °C
 Altitude 0 to 3300 ft. (1,000m) Other _____
 Cable Entry/Exit Locations _____
 Enclosure Size Restrictions
 H _____ W _____ D _____
 Description _____